

DIV. 3  
SEC. A BVS MODELS  
PGE.70



**tecnamotor**<sup>spa</sup> DIV. 3  
TURIN, ITALY SEC. A  
ISSUED MAY 1986 PGE.70  
REVISED

MODEL -----	BORE -----	STROKE -----	CAPACITY -----
BVS 143	63.50MM	46.80MM	148 CC
BVS 153	63.50MM	46.80MM	148 CC

MODEL -----	SPECIFICATIONS -----			
BVS 143	E-31000	E-31000A	E-31001	E-31002A
BVS 153	E-41000	E-41000A	E-41001A	E-41002A

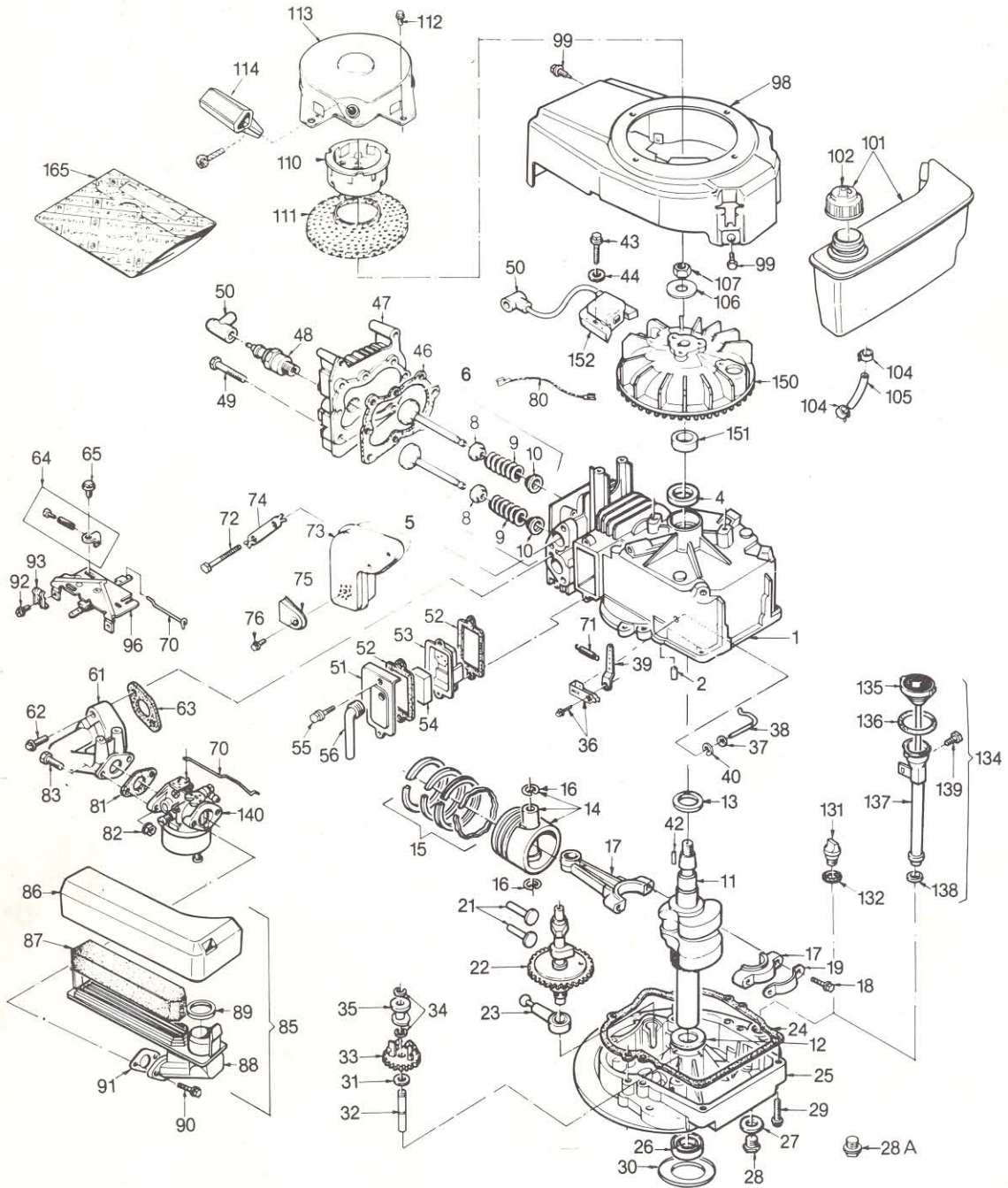
DIV. 3 SUB-ASSEMBLY DETAILS FOR-  
 SEC. A BVS MODELS  
 PGE.71 BY SPECIFICATION NUMBER.



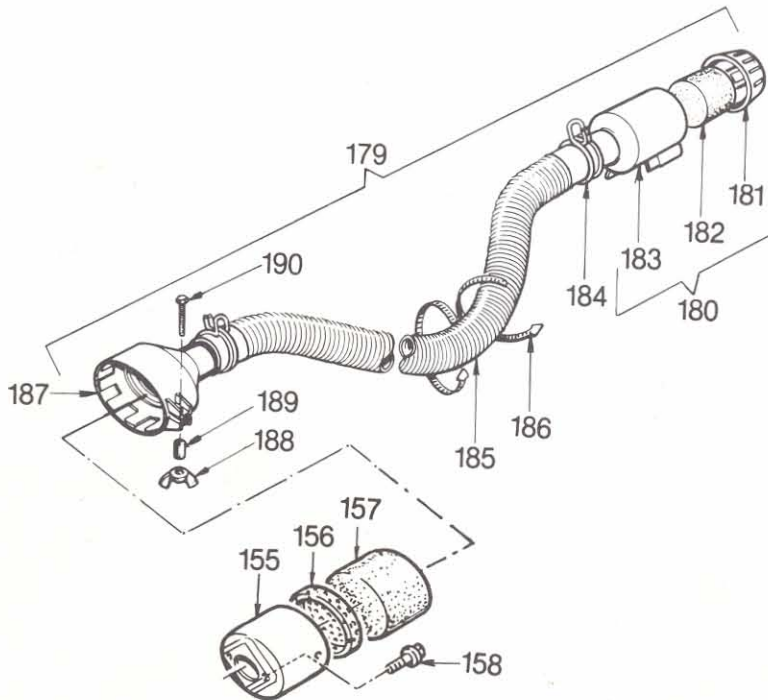
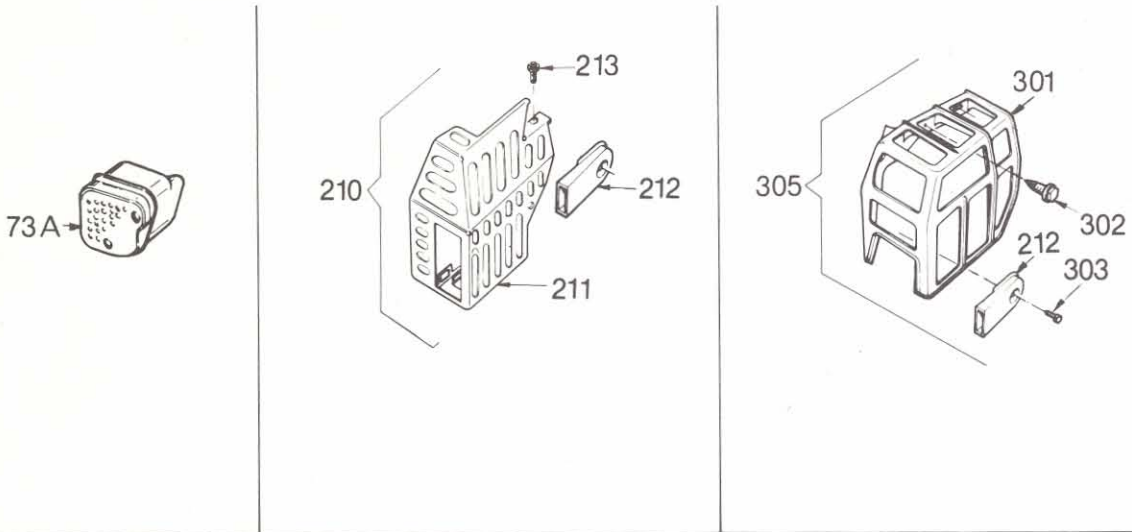
**tecnamotor**<sup>spa</sup> DIV. 3  
 TURIN, ITALY SEC. A  
 ISSUED MAY 1986 PGE.71  
 REVISED

							IDLE RPM	HIGH RPM
BVS 143	: CARB.	IN 5A:	MAGNETO	IN 5B:	STARTER	IN 5C:CRANKSHAFT:	+/-200	+/-100
E-31000	: 23020038	3	: USE PARTS	: 14210044	3	: 16070095	: 2000	: 3000
E-31000A	: 23020038	3	: USE PARTS	: 14210044	3	: 16070095	: 2000	: 3000
E-31001	: 23020074	3	: USE PARTS	: 14210044	3	: 16070095	: 2000	: 3650
E-31002A	: 23020038	3	: USE PARTS	: 14210044	3	: 16070111	: 2000	: 3000
							IDLE RPM	HIGH RPM
BVS 153	: CARB.	IN 5A:	MAGNETO	IN 5B:	STARTER	IN 5C:CRANKSHAFT:	+/-200	+/-100
E-41000	: 23020038	3	: USE PARTS	: 14210044	3	: 16070095	: 2000	: 3000
E-41000A	: 23020038	3	: USE PARTS	: 14210044	3	: 16070095	: 2000	: 3000
E-41001A	: 23020038	3	: USE PARTS	: 14210044	3	: 16070095	: 2000	: 3350
E-41002A	: 23020038	3	: USE PARTS	: 14210044	3	: 16070114	: 2000	: 3000

NOTE. MODEL NO'S LISTED ABOVE WILL NOT BE REFERRED TO IN THE PARTS LIST. USE SPEC. NO. ONLY.

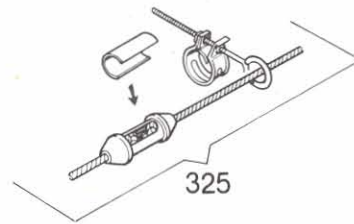
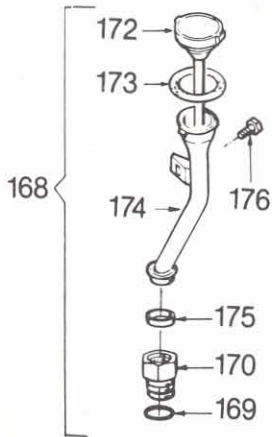
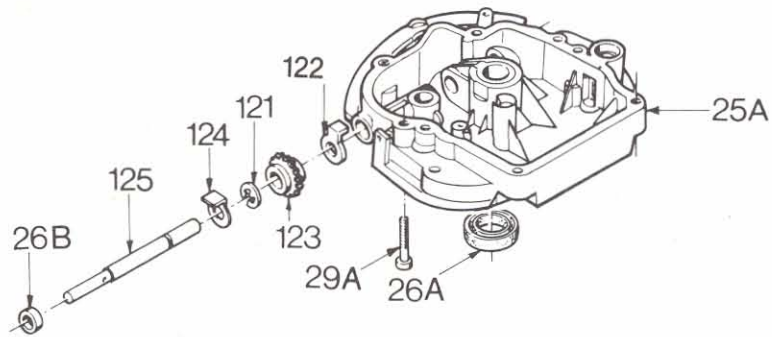


NOTE. FOR PART NUMBERS RELATING TO THE ABOVE EXPLODED DRAWING REFER TO NEXT GRID.



NOTE. FOR PART NUMBERS RELATING TO THE ABOVE EXPLODED DRAWING REFER TO NEXT GRID.





NOTE. FOR PART NUMBERS RELATING TO THE ABOVE EXPLODED DRAWING REFER TO NEXT GRID.



1	16010036	CYLINDER ASSY. 63.50MM BORE INC.- 2,4	21	22440001	LIFTER, VALVE INTAKE & EXHAUST
2	29410001	PIN, DOWEL	22	22410035	CAMSHAFT ASSY. LOBE COMPRESSION RELEASE
4	29610017	*SEAL, OIL			ALL SPECS.EXCEPT- E-41002A
5	16130005	VALVE ASSY. INTAKE STANDARD INC.- 8,9,10	22	22410045	CAMSHAFT ASSY. LOBE COMPRESSION RELEASE FOR SPEC.NO'S. - E-41002A
5	( 16130006	VALVE ASSY. INTAKE OVERSIZE 0.80MM	23	16160004	PUMP ASSY. OIL
	(	INC.- 8,9,10	24	29630001	*GASKET, FLANGE ASSY.
	(		25	16030013	FLANGE ASSY. INC.- 26,27,28,32 FOR SPEC.NO'S. - E-41000 E-41000A,01A
6	( 16140005	VALVE ASSY. EXHAUST STANDARD INC.- 8,9,10	25	16030015	FLANGE ASSY. INC.- 26,27,28,32 FOR SPEC.NO'S. - E-31000 E-31000A THRU E-31002A
6	( 16140006	VALVE ASSY. EXHAUST OVERSIZE 0.80MM INC.- 8,9,10	25A	16030018	FLANGE ASSY. INC.- 26A,26B,27,28 32 FOR SPEC.NO'S. - E-41002A
8	22470008	CAP, VALVE SPRING UPPER	26	29610018	*SEAL, OIL ALL SPECS.EXCEPT- E-41002A
9	27910003	SPRING, VALVE	26A	( 29610001	SEAL, OIL
10	22470006	CAP, VALVE SPRING LOWER	26B	( 29610008	SEAL, OIL FOR SPEC.NO'S. - E-41002A
11	16070095	CRANKSHAFT ASSY. FOR SPEC.NO'S. - E-31000 E-31000A,01, E-41000,00A,01A	27	29630029	*GASKET, DRAIN PLUG ALL SPECS.EXCEPT- E-31000A
11	16070111	CRANKSHAFT ASSY. FOR SPEC.NO'S. - E-31002A	27	29630091	GASKET, DRAIN PLUG FOR SPEC.NO'S. - E-31000A
11	16070114	CRANKSHAFT ASSY. INC.- 12,13 FOR SPEC.NO'S. - E-41002A	28	29320009	PLUG, OIL DRAIN ALL SPECS.EXCEPT- E-31000A
12	29520006	WASHER, THRUST ALL SPECS.EXCEPT- E-41002A	28	29320037	PLUG, OIL DRAIN FOR SPEC.NO'S. - E-31000A
12	29520014	WASHER, THRUST FOR SPEC.NO'S. - E-41002A	29	29190075	SCREW, FLANGE ASSY. L = 30MM
13	29520006	WASHER, THRUST FOR SPEC.NO'S. - E-41002A	29A	29190076	SCREW, FLANGE ASSY. L = 54MM 8.5:1 REDUCTION FOR SPEC.NO'S. - E-41002A
14	( 16090007	PISTON & PIN ASSY. STANDARD 63.50MM BORE INC.- 16	30	29590022	COVER, OIL SEAL
	(		31	29510015	WASHER, GOVERNOR GEAR
14	( 16090008	PISTON & PIN ASSY. OVERSIZE 0.25MM INC.- 16	32	22720001	SHAFT, GOVERNOR GEAR
	(		33	16170001	GEAR ASSY. GOVERNOR
14	( 16090009	PISTON & PIN ASSY. OVERSIZE 0.50MM INC.- 16	34	29450005	RETAINER, GOVERNOR
	(		35	22740001	SPOOL, GOVERNOR
15	( 16100009	RING SET, PISTON STANDARD 63.50MM BORE	36	16500009	CLAMP, GOVERNOR LEVER
	(		37	29510029	WASHER, GOV. SHAFT
15	( 16100010	RING SET, PISTON OVERSIZE 0.25MM	38	22750009	SHAFT, GOVERNOR ALL SPECS.EXCEPT- E-41002A
	(		38	22750010	SHAFT, GOVERNOR FOR SPEC.NO'S. - E-41002A
15	( 16100011	RING SET, PISTON OVERSIZE 0.50MM	39	27240083	LEVER, GOVERNOR
16	29450004	RETAINER, PISTON PIN	40	29450006	RETAINER, GOV. SHAFT
17	16110006	ROD ASSY. CONNECTING INC.- 18,19	42	29410009	KEY, FLYWHEEL SOLID STATE FOR SPEC.NO'S. - E-41001A
18	29180039	SCREW, CONNECTING ROD			
19	29490025	CLIP, CONNECTING ROD			

NOTE.

ALWAYS CHECK MASTER PRICE LIST FOR REPLACEMENT PART NUMBERS.





42	29410012	KEY, FLYWHEEL SOLID STATE ALL SPECS.EXCEPT- E-41001A	96	17410024	CONTROL ASSY. REMOTE CONTROL
43	29190077	SCREW, COIL ASSY.	98	14320033	HOUSING, BLOWER ALL SPECS.EXCEPT- E-31000A
44	29510048	WASHER, COIL ASSY.			E-31002A, E-41000A, 01A, 02A
46	29620003	*GASKET, CYLINDER HEAD	98	14320039	HOUSING, BLOWER FOR SPEC.NO'S. - E-31000A
47	21210019	HEAD, CYLINDER			E-31002A, E-41000A, 01A, 02A
48		SPARK PLUG RESISTOR	99	29190038	SCREW, BLOWER HOUSING
49	29180063	SCREW, CYLINDER HEAD	101	16210018	TANK ASSY. FUEL INC.-102
50	29050005	COVER, SPARK PLUG	102	<23350019	> CAP, TANK ASSY. > WAS:23350003
51	21660010	COVER, VALVE BOX	104	29490031	CLAMP, FUEL PIPE
52	29630004	*GASKET, VALVE BOX	105	26270001	PIPE, FUEL L = 410MM AVAILABLE ONLY IN 5M.COILS. ORDER PART NO. 16270001
53	16190001	BODY ASSY. BREATHER	106	29510050	WASHER, BELLEVILLE
54	27140001	ELEMENT, BREATHER	107	29210020	NUT, FLYWHEEL
55	29190061	SCREW, BREATHER	110	24220014	CUP, STARTER
56	21670007	TUBE, BREATHER	111	27540027	SCREEN, FLYWHEEL
61	28510021	PIPE, INTAKE ALL SPECS.EXCEPT- E-31001	112	29190058	SCREW, STARTER
61	28510022	PIPE, INTAKE FOR SPEC.NO'S. - E-31001	113	<14210044	> STARTER ASSY. > TOP MOUNT > SEE DIV. 5 :SEC.C:PAGE 3 > NOW.14210047 FOR SPEC.NO'S. - E-31000 E-31000A THRU E-41000 E-41000A THRU E-41002A
62	29190047	SCREW, INTAKE PIPE	114	24230004	HANDLE, STARTER
63	29630082	*GASKET, INTAKE PIPE	121	(29450014	RETAINER, P.T.O.
64	17410021	BRACKET ASSY. CONTROL	122	(29490053	WASHER, TANG
65	29190073	SCREW, BRACKET ASSY.	123	(27220019	GEAR, P.T.O.
70	27250003	LINK, GOVERNOR SPRING	124	(29490052	WASHER, TANG
70A	27250032	LINK, GOV. TO THROTTLE	125	(27210014	SHAFT, P.T.O. FOR SPEC.NO'S. - E-41002A
71	27920010	SPRING, GOVERNOR	131	(29320002	PLUG, OIL FILLER
72	29190089	SCREW, MUFFLER	132	(29630008	*GASKET, OIL FILLER FOR SPEC.NO'S. - E-31000 E-31000A THRU E-31002A
73	21520103	MUFFLER ALL SPECS.EXCEPT- E-31001	134	(16480005	FILLER ASSY.OIL INC.-135,136,137,138 139
73A	21520088	MUFFLER FOR SPEC.NO'S. - E-31001	135	(19320005	DIPSTICK & CAP
74	27530005	PLATE, LOCK ALL SPECS.EXCEPT- E-31001	136	(29610025	*O RING, OIL FILLER
75	(21520085	BAFFLE, EXHAUST	137	(29140010	TUBE, OIL FILLER
76	(29190010	SCREW, BAFFLE ALL SPECS.EXCEPT- E-31001	138	(29610032	*O RING, OIL TUBE
80	24010034	WIRE, GROUND	139	(29190091	SCREW, OIL FILLER FOR SPEC.NO'S. - E-41000 E-41000A THRU E-41002A
81	29630013	*GASKET, CARBURETTOR	140	23020038	CARBURETTOR SEE DIV. 5 :SEC.A:PAGE 3 ALL SPECS.EXCEPT- E-31001
82	29210008	NUT, CARBURETTOR	140	23020074	CARBURETTOR SEE DIV. 5 :SEC.A:PAGE 3 FOR SPEC.NO'S. - E-31001
83	29180017	SCREW, CARBURETTOR			
85	(16290019	FILTER ASSY. AIR INC.- 86, 87, 88, 89			
86	(23430043	COVER, AIR FILTER			
87	(23410026	ELEMENT, AIR FILTER			
88	(23420043	BODY, AIR FILTER			
89	(29630090	*GASKET, FILTER COVER			
90	(29190140	SCREW, AIR FILTER ALL SPECS.EXCEPT- E-31001			
91	29630003	GASKET, AIR FILTER FOR SPEC.NO'S. - E-31001			
91	29630086	*GASKET, AIR FILTER ALL SPECS.EXCEPT- E-31001			
92	29190039	SCREW, CONDUIT CLIP			
93	29490004	CLIP, CONDUIT			

NOTE.

ALWAYS CHECK MASTER PRICE LIST FOR REPLACEMENT PART NUMBERS.



- 150 24110023 FLYWHEEL  
SOLID STATE  
ALL SPECS.EXCEPT- E-41001A
- 150 24110032 FLYWHEEL  
SOLID STATE  
FOR SPEC.NO'S. - E-41001A
- 151 29490032 SPACER, FLYWHEEL
- 152 14160013 COIL & LAMINATION  
SOLID STATE
- 155 (13420012 BODY, AIR FILTER
- 156 (29490010 SCREEN, AIR FILTER
- 157 (23410023 ELEMENT, AIR FILTER
- 158 (29190040 SCREW, AIR FILTER  
( FOR SPEC.NO'S. - E-31001
- 165 16610020 GASKET SET
- 168 (16480011 FILLER ASSY.OIL  
( INC.-169,170,172,173  
( 174,175,176
- 169 (29630008 GASKET, OIL FILLER
- 170 (29140020 ADAPTOR, OIL TUBE
- 172 (19320005 DIPSTICK & CAP
- 173 (29610025 O RING, OIL FILLER
- 174 (29140019 TUBE, OIL FILLER
- 175 (29610032 O RING, OIL TUBE
- 176 (29190091 SCREW, OIL FILLER  
( FOR SPEC.NO'S. - E-31000  
E-31000A THRU E-31002A
- 179 (13400052 SNORKEL ASSY.  
( INC.-180,184,185,186  
( 187,188,189,190
- 180 (13400048 FILTER ASSY.SNORKEL  
( INC.-181,182,183
- 181 (23430033 COVER, PRE-CLEANER
- 182 (23410025 ELEMENT, PRE-CLEANER
- 183 (23420042 BODY, PRE-CLEANER
- 184 (29440015 CLIP, HOSE
- 185 (23520007 HOSE, INTAKE
- 186 (29440009 STRAP, HOSE
- 187 (23430040 ADAPTOR, INTAKE
- 188 (29190019 WING NUT, ADAPTOR
- 189 (27420011 SPACER, ADAPTOR
- 190 (29180027 SCREW, ADAPTOR  
( FOR SPEC.NO'S. - E-31001
- 210 (16450004 GUARD ASSY.MUFFLER  
( INC.-211,212,213
- 211 (24330032 GUARD, MUFFLER
- 212 (21520105 BAFFLE, EXHAUST
- 213 (29190010 SCREW, MUFFLER GUARD  
( FOR SPEC.NO'S. - E-31000  
E-31000A THRU E-31002A  
E-41000 THRU E-41002A
- 301 (24330037 GUARD, MUFFLER  
( SUPERQUIET
- 302 (29190139 SCREW, MUFFLER GUARD
- 303 (29190010 SCREW, BAFFLE
- 305 (16450006 GUARD KIT, MUFFLER  
( PLASTIC

- 305 (16450006 INC.-212,301,302,303  
( ALL SPECS.EXCEPT- E-31000  
E-31001,E-41000
- 325 16420004 ZONE KIT, STARTER

CODES - \* INDICATES AN ITEM INCLUDED  
IN A GASKET SET.  
< > INDICATES A SUPERSEDED OR  
OBSOLETE PART NO. THE ORIGINAL  
NO. OR OBSOLETE IS SHOWN BELOW.  
NOTE. THE COMPLETE MAGNETO IS NOT  
AVAILABLE AS AN ASSEMBLY. ORDER  
COMPONENT PARTS AS SHOWN IN THE  
PARTS LIST.

CONT'D